

MOBIJET 6x3

TECHNICAL REQUIREMENTS

Preferred files format .pdf / .tiff / .tif (LZW compression).

File resolution for the scale 1:10, 600 dpi, CMYK mode.

The set of Advertising Graphics for 1 MobiJet consists of:

2 main graphics: 6x3m, 2 graphics for sidewalls, 1 graphic for a back wall, 1 graphic for a back advertising panel.

Prepare the print files according to the **print format**, keeping in mind that elements outside the visible format may be cut off during printing – do not place important information such as logos or text in the bleed area.

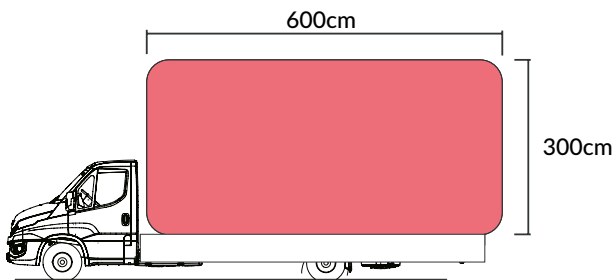
Print format = visible format + bleed.

1. NAME_main_graphic (two designs possible – left, right)
Visible format: 600x300 cm; + 15 cm bleed on each side.
Print format: 630x330 cm
Please add a red technical line with dimensions of 610x310 cm.
This line helps us to place graphic properly on MobiJet.
2. NAME_side_walls (two designs possible – left, right)
Visible format: 593x53 cm; + bleed: 5 cm from left, right and down (no bleed from the top).
Print format: 603x58 cm
3. NAME_back_wall
Visible format: 227x53 cm; + bleed: 5 cm from left, right and down (no bleed from the top).
Print format: 237x58 cm
Due to the cut-out shape of the back wall element, place important information **no more than 20 cm from the top edge!**
4. NAME_back_panel
Visible format: 59x219 cm; +bleed: 5 cm from left, right and down (no bleed from the top).
Print format: 69x224 cm

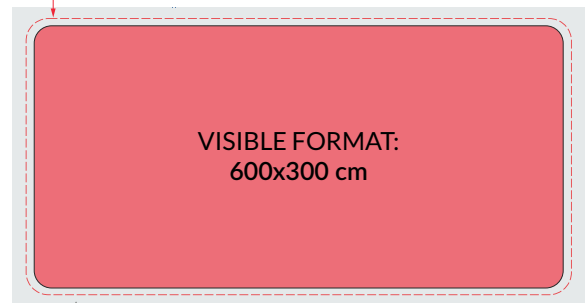
Attach a preview file (in .jpg or .png format, not exceeding 1MB) to the production file.

Detailed graphical instructions can be found **on page 2**.

1. main graphic

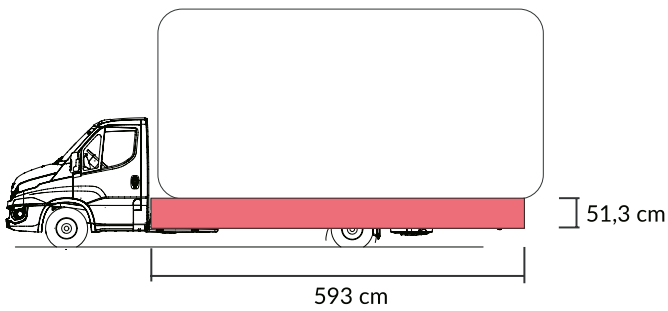


RED DASHED TECHNICAL LINE 610x310 cm
has to be placed on the production file



PRINT FORMAT: 630x330 cm

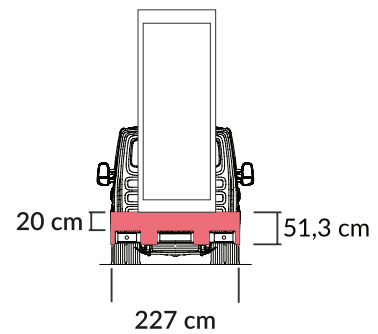
2. side walls



VISIBLE FORMAT: 593x53 cm

PRINT FORMAT: 603x58 cm

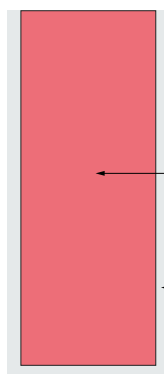
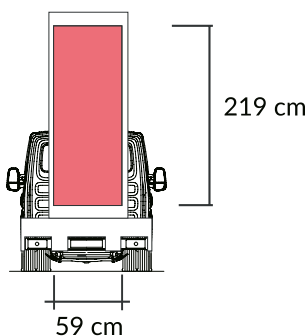
3. back wall



VISIBLE FORMAT: 227x53 cm

PRINT FORMAT: 237x58 cm

4. back panel



VISIBLE FORMAT:
59x219 cm

FORMAT:
69x224 cm